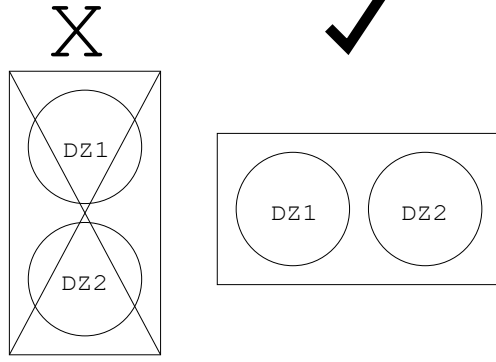
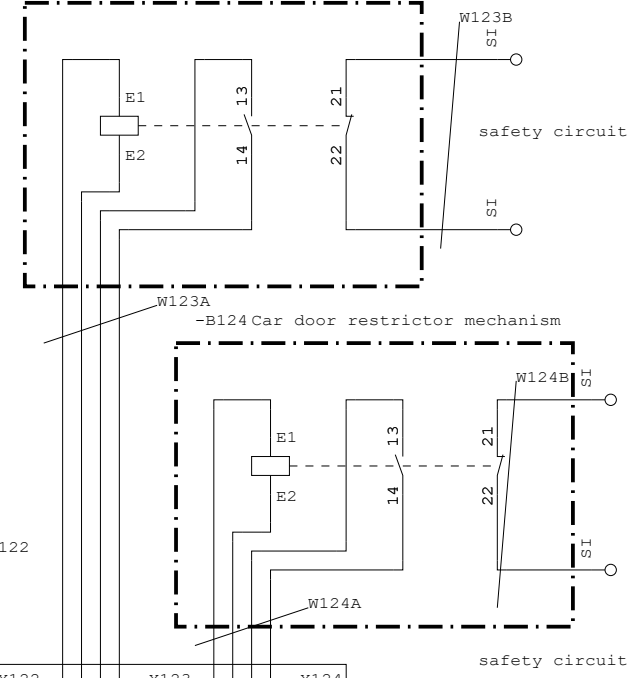
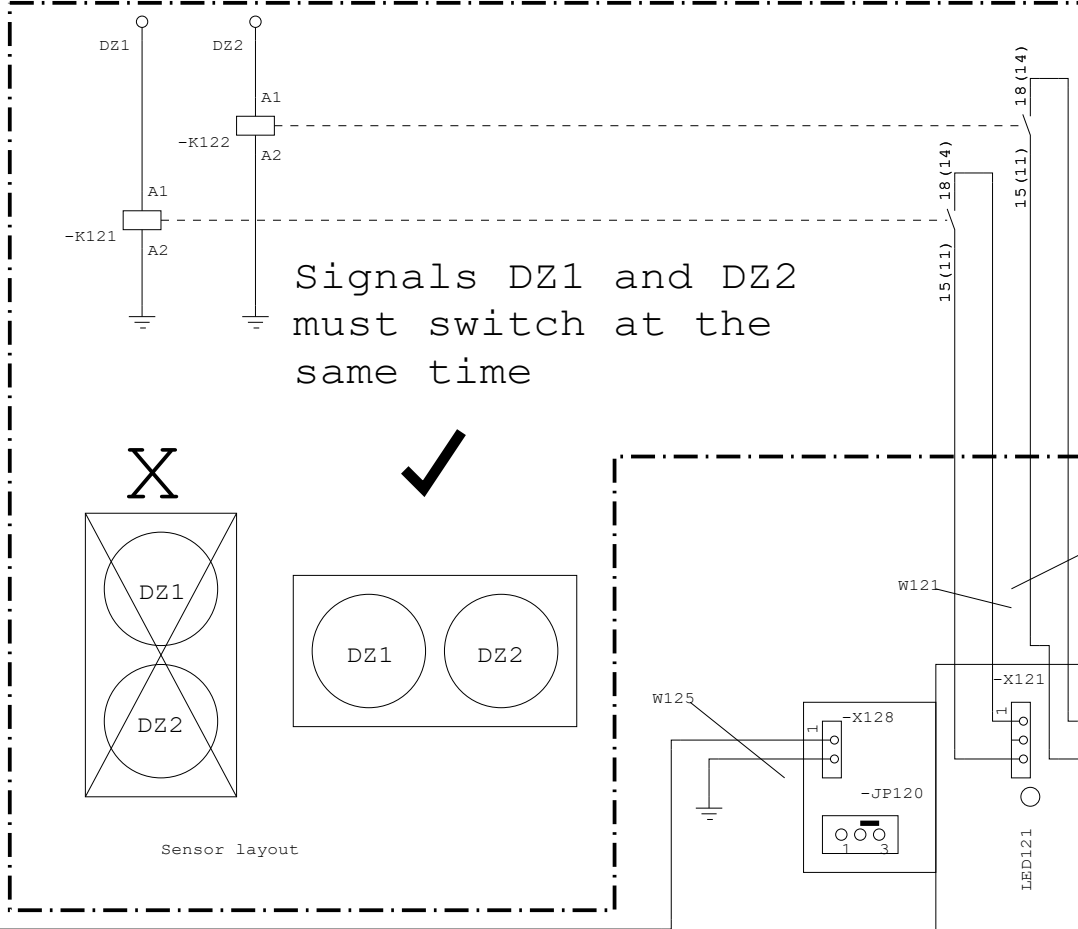
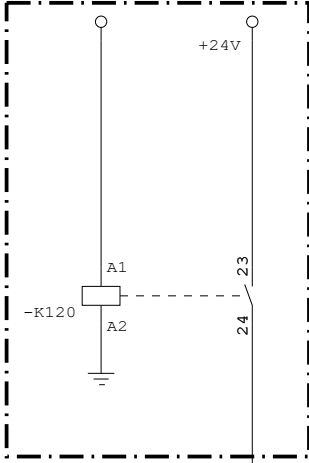


Option: bolt signal

Door Zone

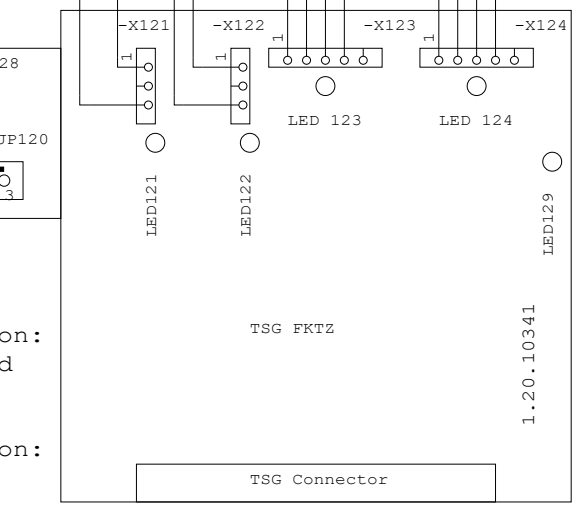
-B123 Car door restrictor mechanism



Sensor layout

JP120:
 2&3 function description:
 HIGH SIGNAL -> Unlocked
 LOW SIGNAL -> Locked

1&2 function description:
 HIGH SIGNAL -> Locked
 LOW SIGNAL -> Unlocked



Zustand:	Änderung:	Datum	Name:	Datum 22.09.20	Firma:	D000000	1.20.93301 FKTZ zwei Zuhalteschalter	<p>Langer & Laumann Ingenieurbüro GmbH</p>	=
			Bearb.alexander.p		Langer & Laumann Ing.-Büro Gmb				+
			Gepr.		Wilmsberger Weg 8	example			
			Norm		Steinfurt	TSG V4			