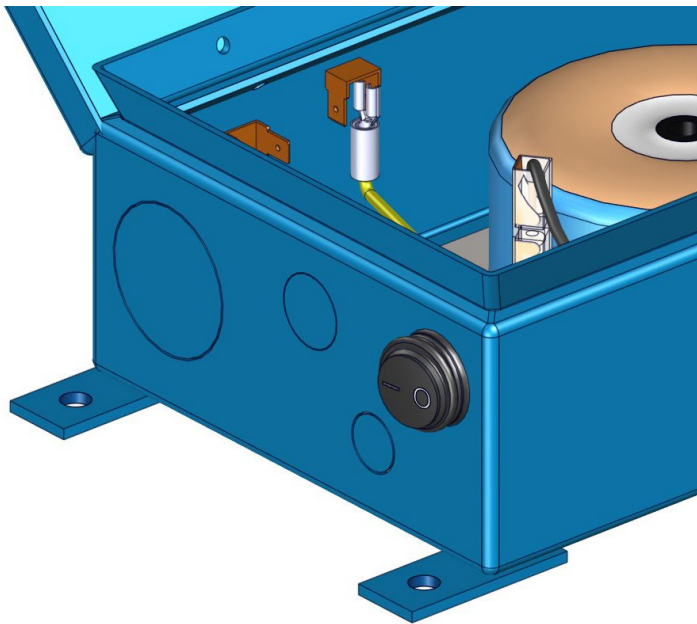


# **Montageanleitung** **Assembly Instruction**

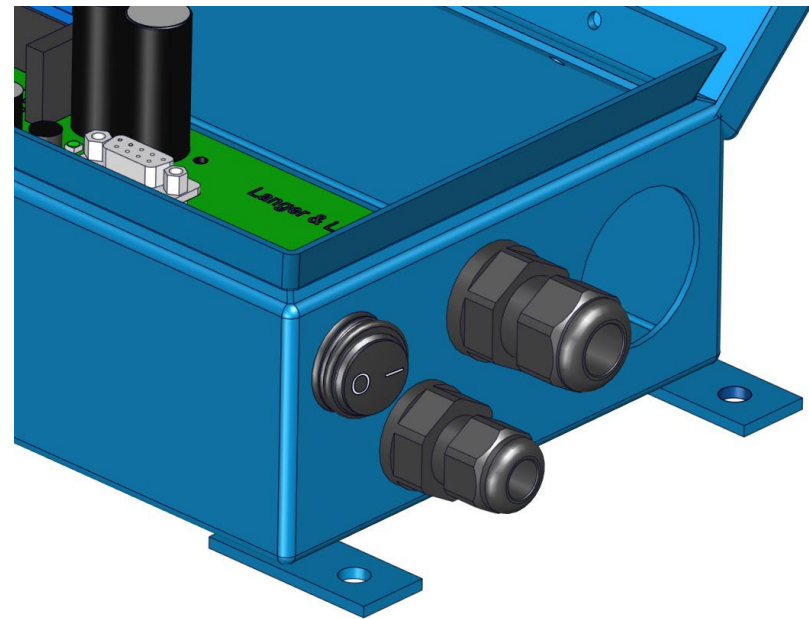
**8.20.81200**

**TSG Option Wippschalter (230VAC) –**  
**TSG option rocker switch (230VAC)**

## TSG Option Wippschalter – TSG option rocker switch







**Montage links –  
assembly left**



**Montage rechts –  
assembly right**

## Lieferumfang – scope of supply



picture	Number	description DE	description EN	quantity
	01.12.44205	Verbindungsklemme Serie 221 ,2 Leiter, 0,2 - 4 mm <sup>2</sup> , transparent/orange	connector clip flexible series 221 ,2 wires, 0,2 - 4 mm <sup>2</sup> , transparent/orange	1
	01.17.60010	Wippschalter für Schalttafelabschnitt	panel cut-out rocker switch	1
	01.19.20111	Steuerleitung YSLY-OZ 2*1,50	control cable YSLY-OZ 2*1,50	0,5 m
	01.25.40117	Flachsteckhuelsen Winkel 4,8mm 0,5-1,5mm <sup>2</sup> rot	blade receptacle connector, angle, 4,8mm 0,5-1,5mm <sup>2</sup> red	2

# Technische Daten – technical specifications



## General Informations

Operating Temperature	0 up to +85 °C
Storage Conditions (in original packaging)	< 40 °C ; < 75 % RH
Moisture Sensitivity Level (MSL)	1
Ingress Protection Code	IP65

## Material Properties

Actuator Material	PC with Silicon Rubber
Actuator Flammability Rating	UL94 V-2
Actuator Color	Black
Frame Material	PA66
Frame Flammability Rating	UL94 V-2
Frame Color	Black

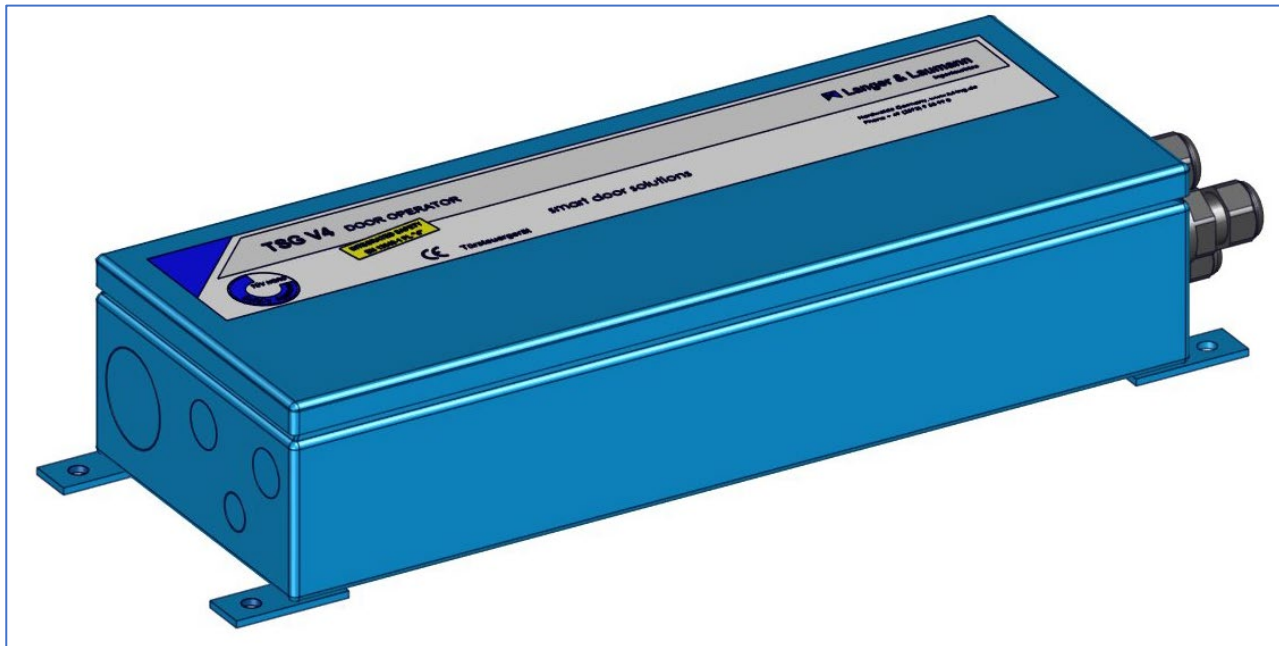
## Mechanical Properties

Force (OFF to ON)	1300 g ± 500g
Electrical Life	10000 Cycles

## Electrical Properties

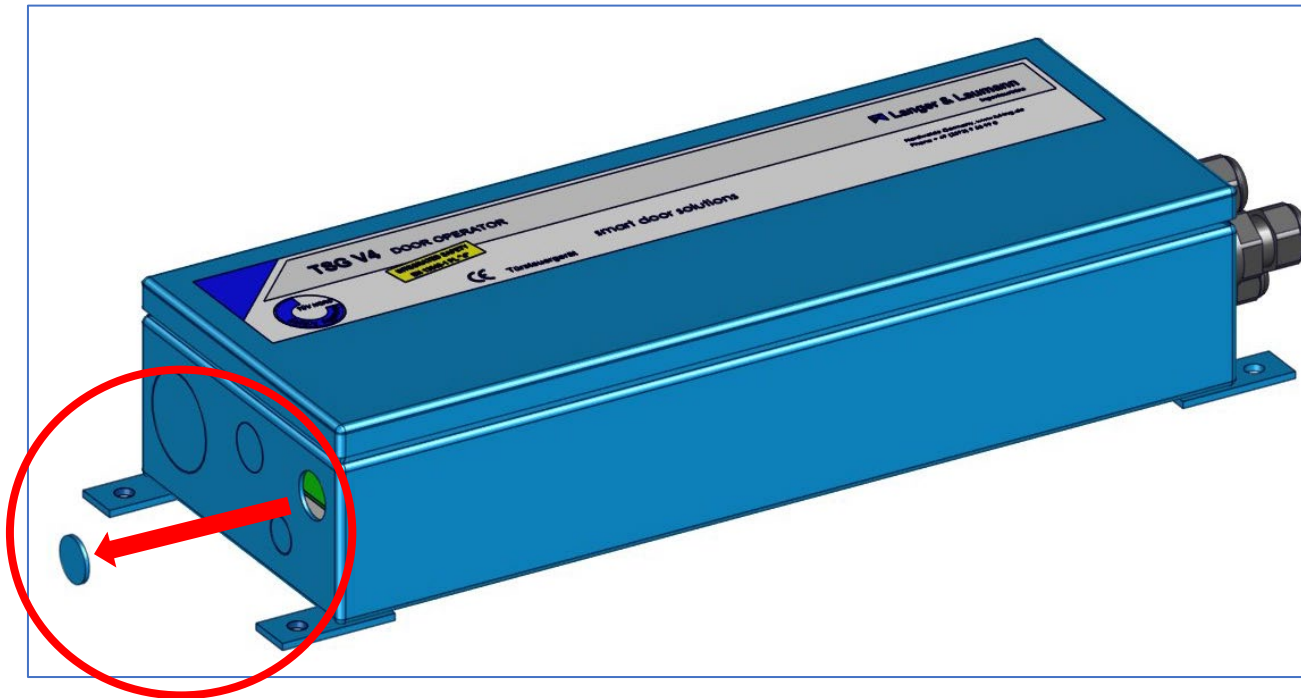
		Test conditions	Value
Rated Current Resistive Load	<i>IR</i>	250 V (AC)	10 A
Rated Current Motor Load	<i>IR</i>	250 V (AC)	4 A
Inrush Current Motor Load		250 V (AC)	25 A
Rated Current Resistive Load	<i>IR</i>	14 V (AC)	20 A
Rated Current Resistive Load	<i>IR</i>	28 V (AC)	10 A
Contact Resistance	<i>R</i>		max. 50 mΩ
Insulation Resistance	<i>RISO</i>	500 V (DC)	min. 100 MΩ
Withstanding Voltage Pin to Pin		1 min	1500V (AC)
Withstanding Voltage Pin to Frame		1min	3000V (AC)

## Vor Umbau – before conversion



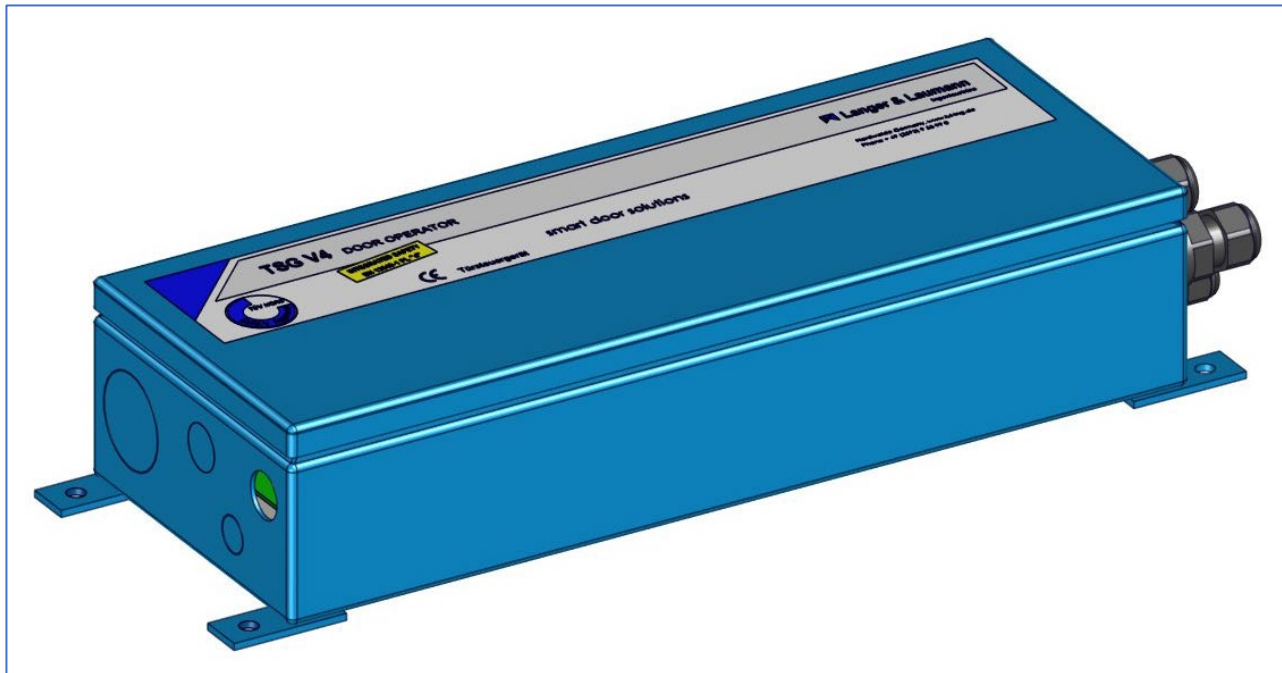
**Montage links –  
assembly left**

## Vor Umbau Ausschnitt frei machen – open the cutout before conversion



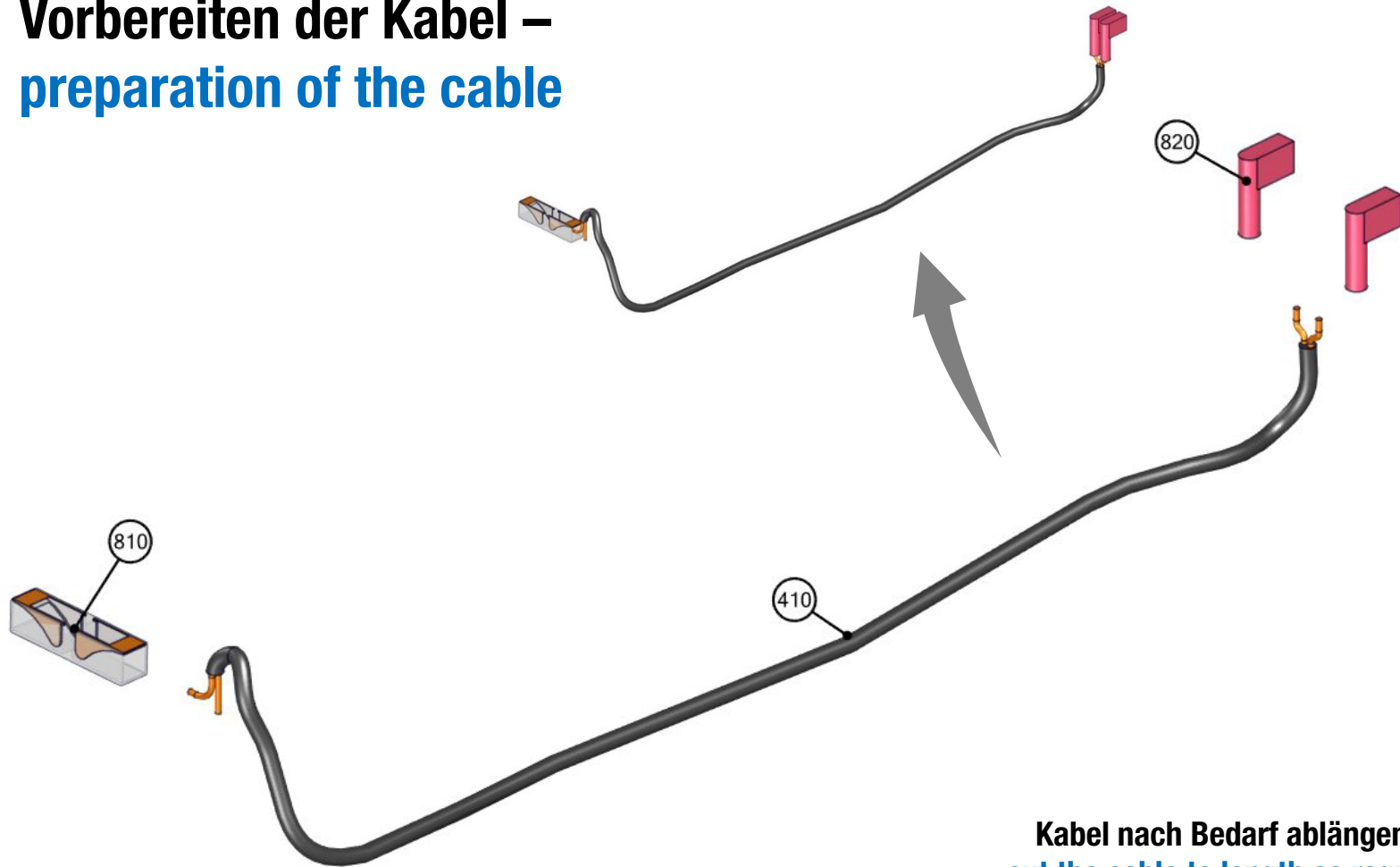
**Montage links –  
assembly left**

## Nach Demontage – after disassembly



**Montage links –  
assembly left**

## Vorbereiten der Kabel – preparation of the cable



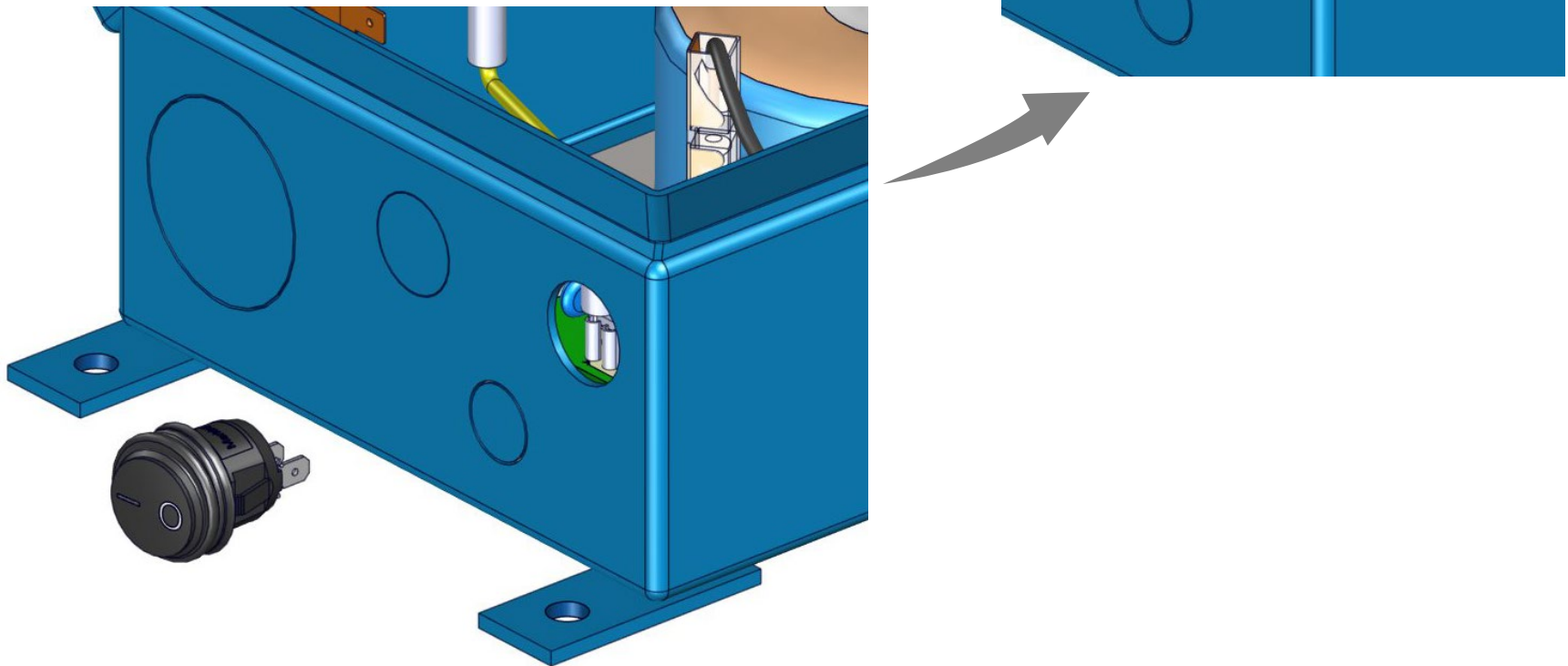
**Kabel nach Bedarf ablängen –  
cut the cable to length as required**

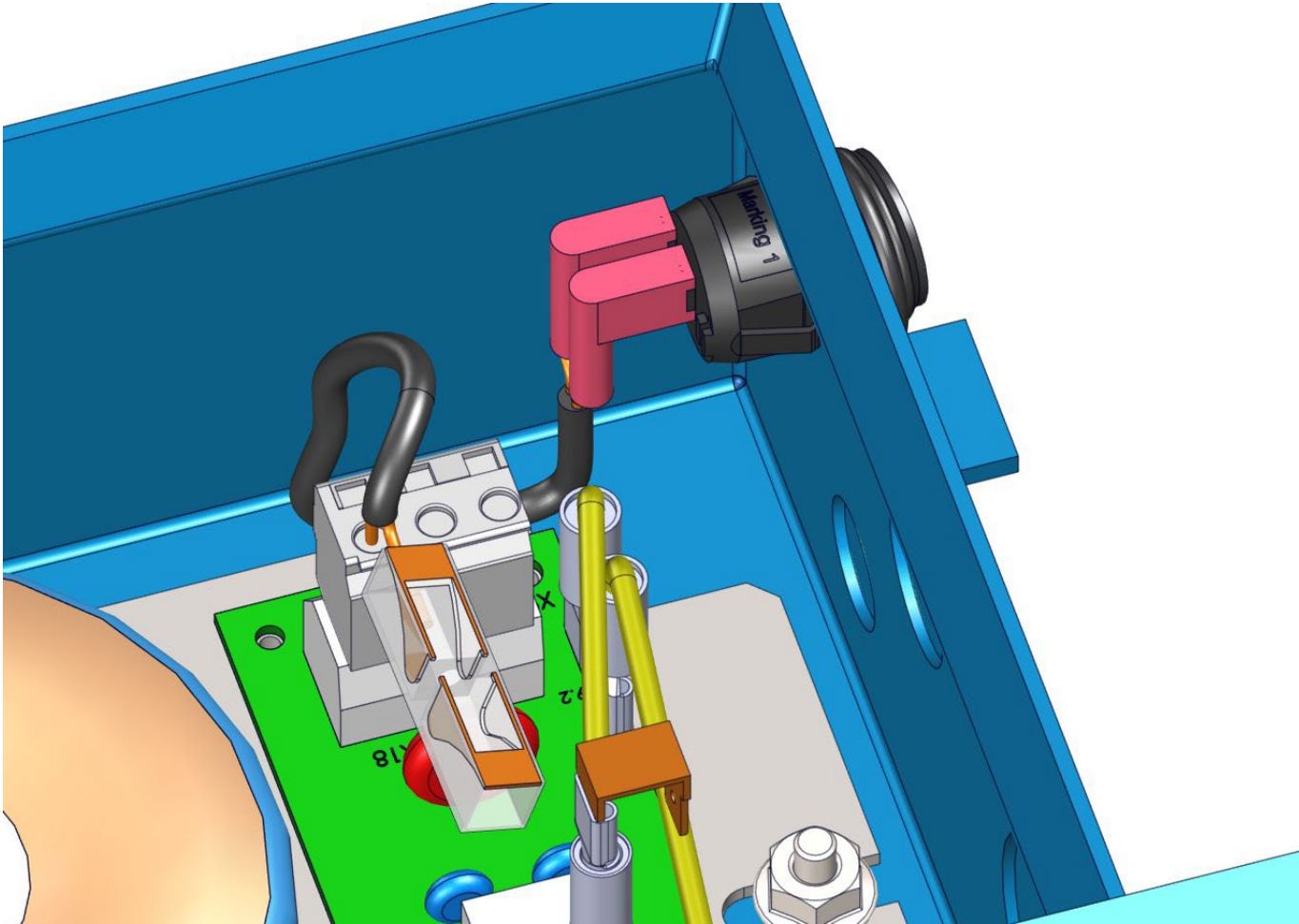
**Montage links / assembly left: ca. 210 mm  
Montage rechts / assembly right: ca. 470 mm**

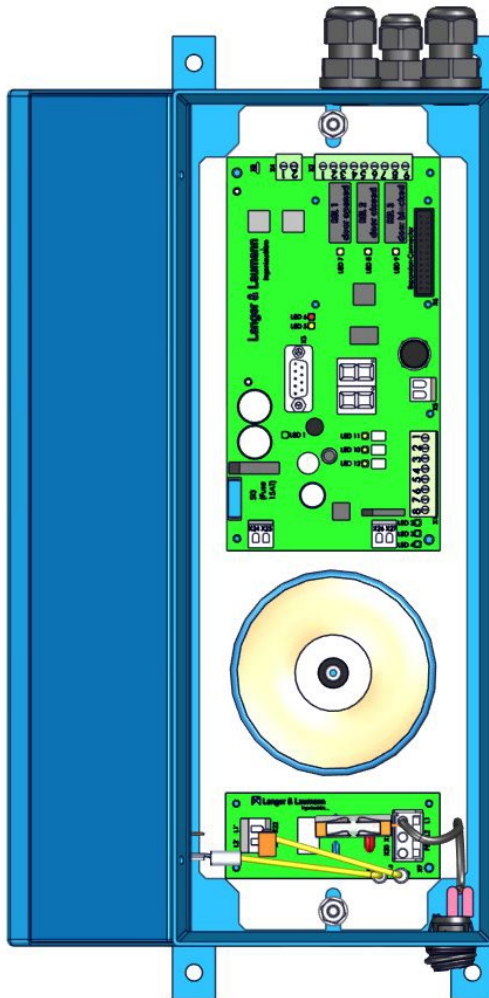
Pos.	Number	Description DE	Description EN	Menge
410	01.19.20111	Steuerleitung YSLY-OZ 2x1,50	control cable YSLY-OZ 2x1,50	1
810	01.12.44205	Verbindungsklemme Serie 221, 2 Leiter, 0,2 - 4 mm <sup>2</sup>	connector clip flexible series 221, 2 wires, 0,2 - 4 mm <sup>2</sup>	1
820	01.25.40117	Flachsteckhuelsen Winkel 4,8mm, 0,5-1,5 mm <sup>2</sup>	blade receptacle connector, angle, 4,8mm, 1,5-2,5mm <sup>2</sup>	2



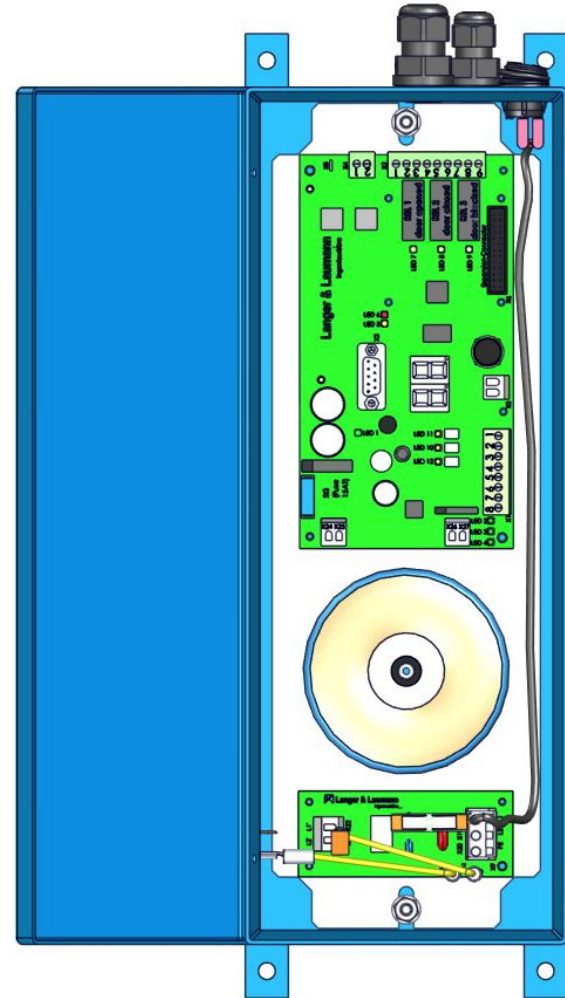
## Montage Wippschalter – assembly of the rocker switch





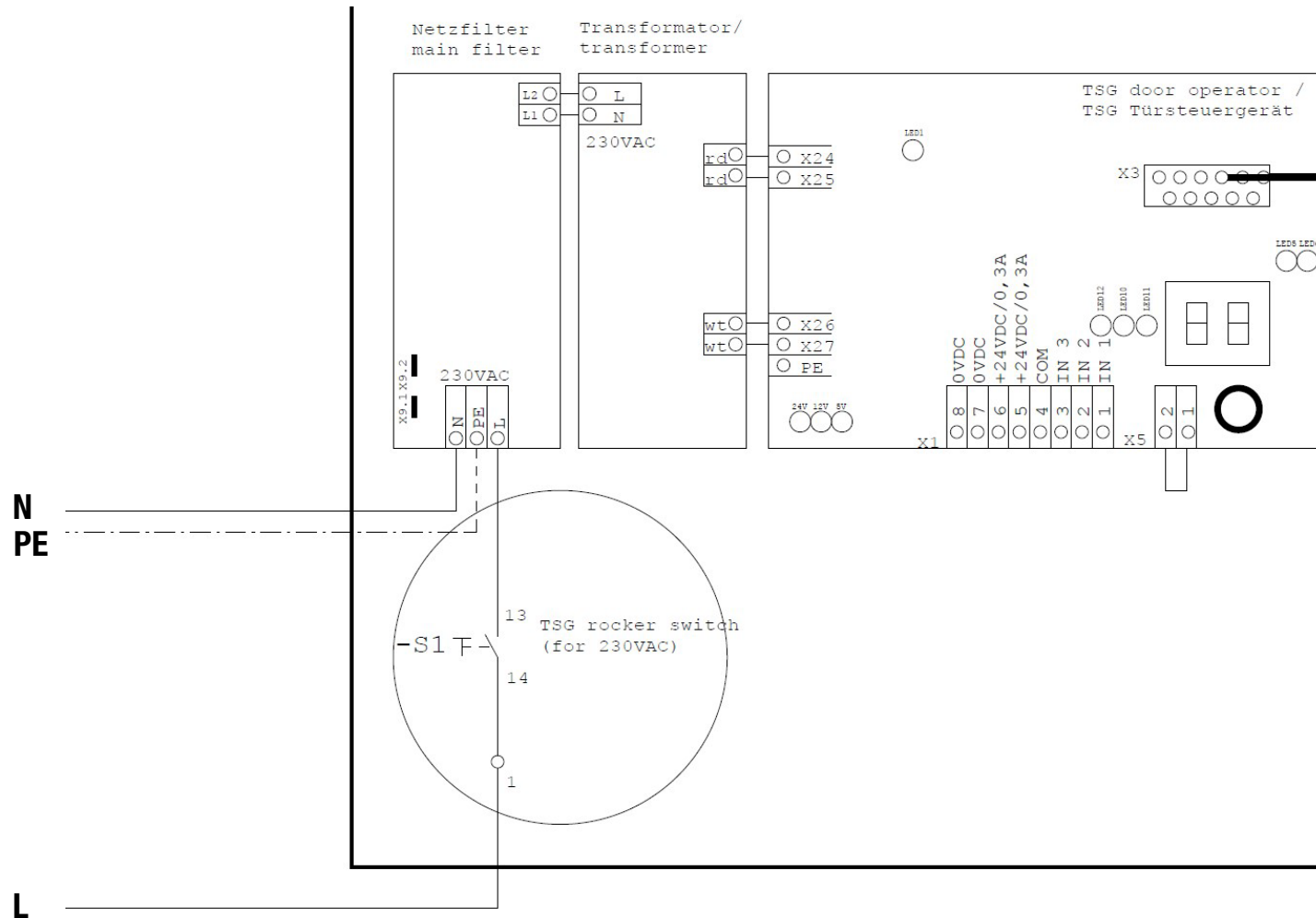


**Montage links –  
assembly left**



**Montage rechts –  
assembly right**

# Elektrischer Anschluss – electrical connection





**Langer & Laumann Ingenieurbüro GmbH**  
Wilmsberger Weg 8  
48565 Steinfurt  
Germany

Tel.: +49 (2552) 92791 0

[support@lul-ing.de](mailto:support@lul-ing.de)  
[www.lul-ing.de](http://www.lul-ing.de)