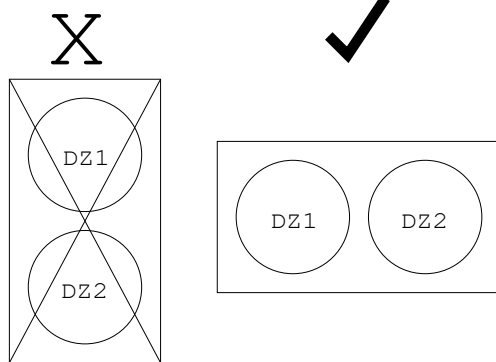
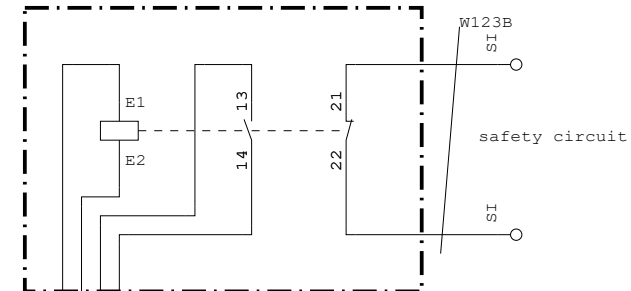
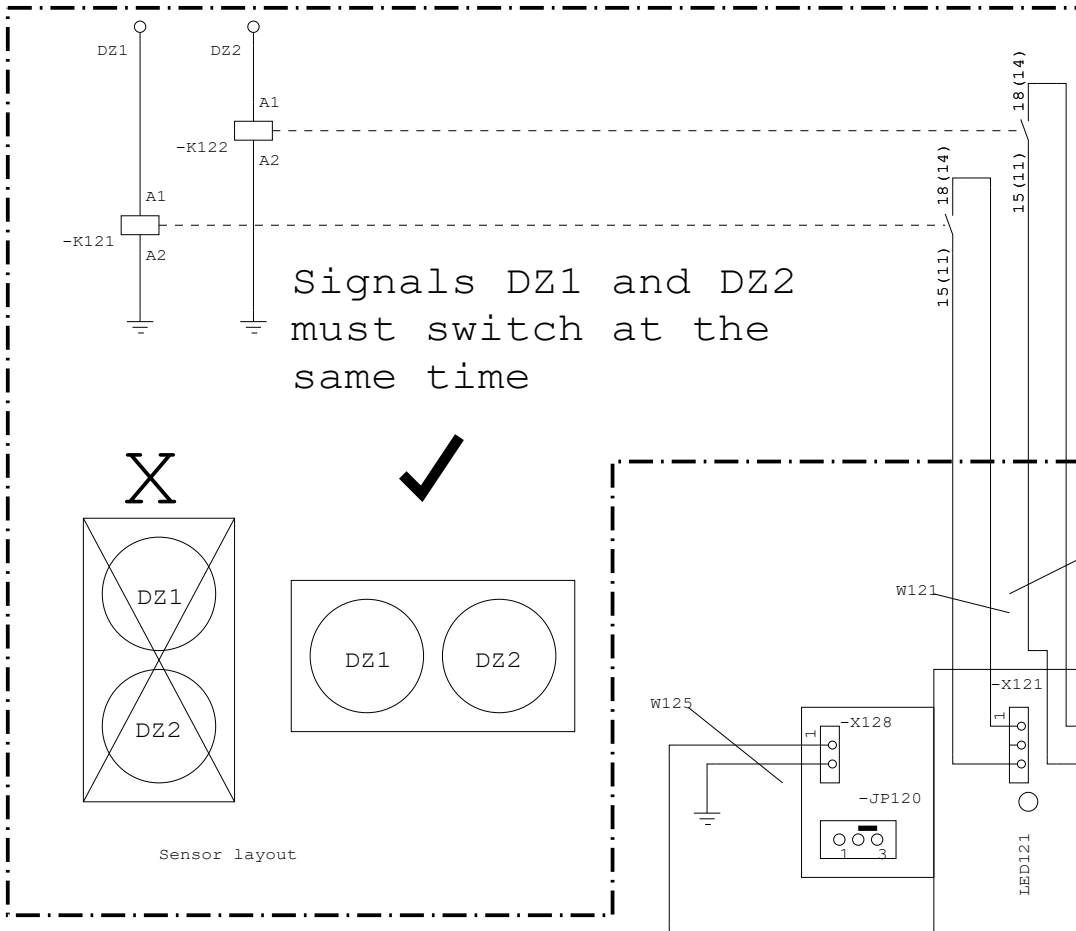
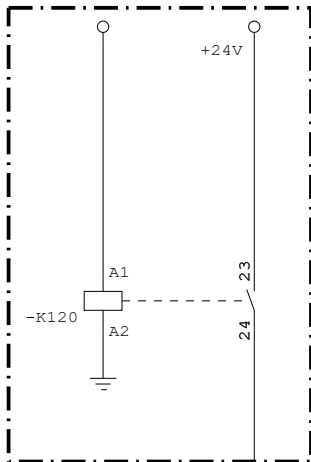


Option: bolt signal

Door Zone

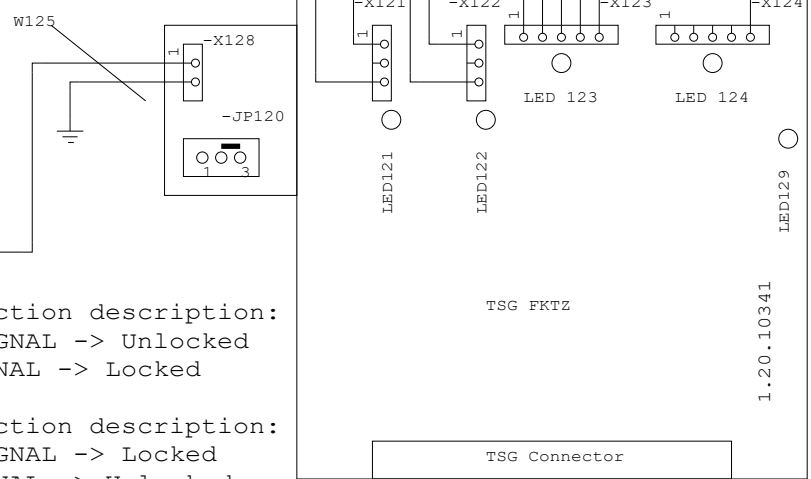
-B123Car door restrictor mechanism



Sensor layout

JP120:  
2&3 function description:  
HIGH SIGNAL -> Unlocked  
LOW SIGNAL -> Locked


1&2 function description:  
HIGH SIGNAL -> Locked  
LOW SIGNAL -> Unlocked



TSG FKTZ

TSG Connector

1.20.10341

Zustand:	Änderung:	Datum	Name:	Datum 22.09.20	Firma:	D000000	1.20.93300 FKTZ einem Zuhalteschalter	 <b>Langer &amp; Laumann</b> Ingenieurbüro GmbH	=
			Bearb.alexander.p		Langer & Laumann Ing.-Büro Gmb				+
			Gepr.		Wilmsberger Weg 8	example			
			Norm		Steinfurt	TSG V4			